

EDXtreme Dynamometer Specifications

DILLON

Capacity & Resolution

Model*	Capacity x Resolution (normal/enhanced)			Overload†	Construction
EDx-1T (EDx-2.5K)	2,500 lbf x 2/0.5	1,000 kgf x 1/0.2	10,000 N x 10/2	700%	Aircraft-quality 2024 aluminum
EDx-2T (EDx-5K)	5,000 lbf x 5/1	2,000 kgf x 2/0.5	20,000 N x 20/5		
EDx-5T (EDx-10K)	10,000 lbf x 10/2	5,000 kgf x 5/1	50,000 N x 50/10		
EDx-10T (EDx-25K)	25,000 lbf x 20/5	10,000 kgf x 10/2	100,000 N x 100/20	500%	Aircraft-quality E4340 alloy steel

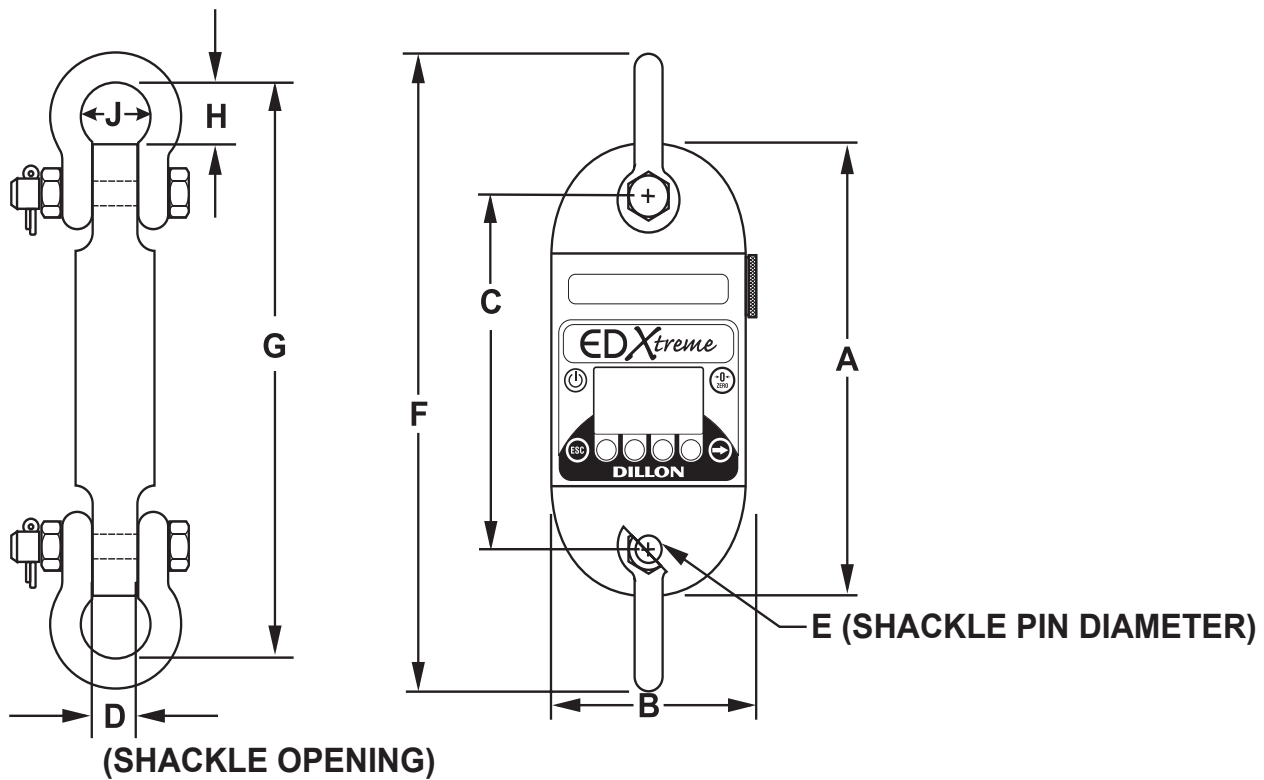
* Model number in parenthesis shows U.S. convention for describing capacities. † Ultimate overload protection rating.

Dimensions inches (mm)

Model	A	B	C	D	E	F	G	H	J	Shackle
EDx-1T	10.6 (269)	5.0 (127)	7.8 (198)	1.06 (26)	0.75 (19)	15.3 (389)	13.4 (340)	1.36 (34)	1.69 (43)	Dillon
EDx-2T	10.6 (269)	5.0 (127)	7.8 (198)	1.06 (26)	0.75 (19)	15.3 (389)	13.4 (340)	1.36 (34)	1.69 (43)	Dillon
EDx-5T	11.4 (289)	5.3 (135)	8.1 (206)	1.46 (37)	1.00 (25)	17.5 (444)	15.7 (400)	2.17 (55)	2.28 (58)	Green Pin*
EDx-10T	11.5 (291)	5.3 (133)	7.9 (201)	2.01 (51)	1.38 (35)	21.0 (534)	18.5 (470)	3.50 (89)	3.25 (83)	Green Pin*

* Dimensions using Green Pin shackles. Crosby shackles available. Consult factory for dimensions.

Dimensions shown are nominal and subject to tolerances.



CE

Dynamometer Specifications

Enclosure: IP68

Accuracy: 0.1% of capacity up to EDX-10T.*

Repeatability: 0.1% of capacity up to EDX-10T.*

* Normal resolution mode with Dillon provided shackles.

Proof Load: 150% of capacity up to EDX-10T on Load Link.
Will proof load shackles upon request.

Ultimate Overload: See table on reverse.

Safe Overload: 200% of capacity.

Body Protection: Aluminum and alloy steel capacities are powder coated.

Bearings: Unmatched repeatability attained by needle bearings in shackle pin holes up to EDX-5T. Shackle pin acts as inner race.

Shackles: Forged industry standard anchor shackles.

Display: 128 x 64 dot-graphic LCD display shows up to 6 digits 1.0" (26 mm) high plus annunciators and softkeys. Digits are .11 inches (3 mm) thick for unmatched readability.

Display Update Rate: 2 times per second.

Peak Capture Rate: 10/100/1,000 Hz

Calibration: Traceable to the National Institute of Standards and Technology. Certificate included with curve of readings.

Battery Life: Stand up to 400+ hours. Use with two C-Cell alkaline batteries. (When using backlight, battery life will be reduced, depending on intensity.)

Operating Temperature: -4° F to 158° F (-20° to 70° C).

Included with Instrument: All include certificate of calibration, manual and batteries. Plastic carry case included.

Options: Shackles.

Approval: CE on all capacities.

Bluetooth Specifications

FCC Certified: For unlicensed low power devices. No radio licensing or permits required for normal operation.* (In the US and Canada. Check local ordinances in other countries.).

Frequency: 2.402 GHz to 2.480 GHz.

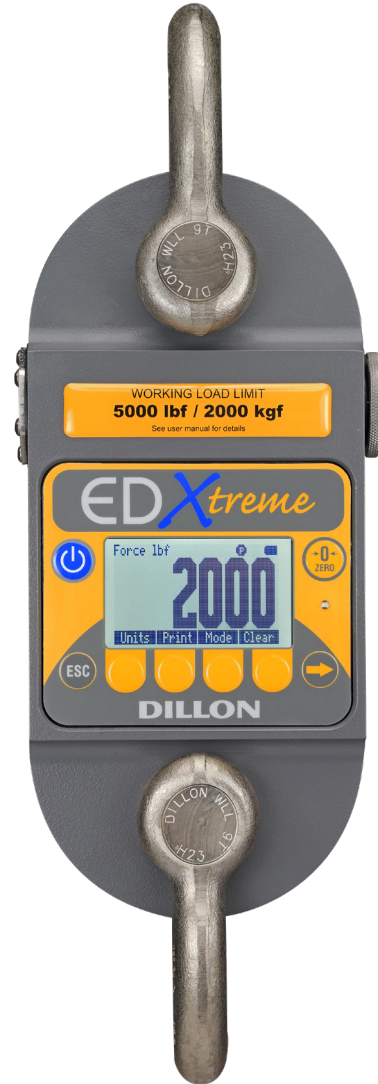
Output Level: 2.5 mW (4 dBm).

Antenna: Integral antenna.

Range: Open air range up to 400 feet, line-of-sight with device not on ground. Indoor range untested. Low power Bluetooth® systems are dependent on environmental obstacles and interference from other devices. Bluetooth devices are not suitable for all applications.

Weights

Model	Unit Weight lb (kg)	Weight with Shackles lb (kg)	Unit Ship Weight lb (kg)	Unit/Shackle Ship Dimension in (mm)
EDX-1T	4.3 (2.0)	8.6 (3.9)	18 (8)	16 x 7 x 19 (406 x 178 x 483)
EDX-2T	4.4 (2.0)	8.7 (3.9)	18 (8)	16 x 7 x 19 (406 x 178 x 483)
EDX-5T	5.6 (2.5)	14 (6)	23 (10)	16 x 7 x 19 (406 x 178 x 483)
EDX-10T	16 (7.3)	38 (17)	53 (24)	21 x 11 x 23 (553 x 279 x 584)



AUTHORIZED DISTRIBUTORS

Ask the experts. Dillon distributors offer complete service capabilities from application assistance to sales and product support. Their experienced representatives are the most knowledgeable experts that you will find in the force measurement industry. We recommend that you consult these capable specialists for all of your measuring needs.

DILLON USA

1000 Armstrong Drive
Fairmont, MN 56031

Toll-Free: (800) 368-2031

Phone: (507) 238-8796

Fax: (507) 238-8258

www.dillon-force.com

DILLON UK

Foundry Lane, Smethwick,
West Midlands B66 2LP

Phone: +44 (0) 845 246 6717

Fax: +44 (0) 845 246 6718

Email: sales@dillon-force.co.uk

DILLON

Force Measurement Equipment

A division of Avery Weigh-Tronix, LLC

Dillon is part of Avery Weigh-Tronix. Avery Weigh-Tronix is a trademark of the Illinois Tool Works group of companies whose ultimate parent company is Illinois Tool Works Inc. ("Illinois Tool Works"). Copyright © 2024 Illinois Tool Works. All rights reserved. This publication is issued to provide outline information only and may not be regarded as a representation relating to the products or services concerned. This publication was correct at the time of going to print, however Avery Weigh-Tronix reserves the right to alter without notice the specification, design, price or conditions of supply of any product or service at any time.

EDXtremeBlue_spec_100173.indd
V1 AWT35-100173