

Ideal for busy, demanding parcel and shipping applications

Technical Specification



Model ZP212

DESCRIPTION

The ZP212 durable 12" x 14" Bench Scale provides a fast accurate weight reading that fits into any operation as a stand-alone scale, interfaced to a shipping manifest software or receiving station.

Supplied with a built-in, flush-fitting, six digit 1" (25mm) high backlit LCD display that is mounted in the front face of the base.

An optional second remote display can be plugged in to provide the customer a facing weight reading.

A range of emulation protocols are available within the

scale to allow you to quickly select the correct compatible communication protocol to interface with a wide range of third party post, mail and shipping software programs or host devices. This will be communicated through either a serial RS-232, USB (HID) or USB (VCP) port found on the rear of the base.

SPECIFICATIONS

COMMUNICATION

Connectivity

1 x RS-232 (9 way female D Type connector), 1 x USB HID (Mini USB) or 1x USB VCP (USB-Type B) 1 x 2nd Remote display connection (RJ 45) *All are positioned on the rear of the base*

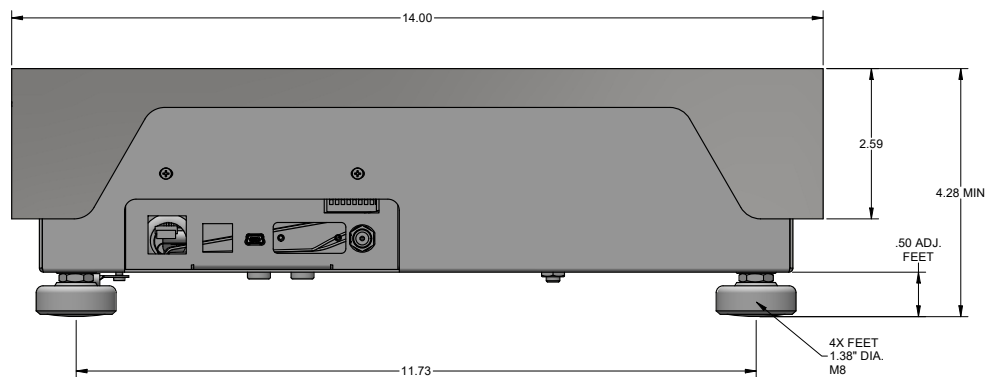
Supported Protocols

4 Supported Protocols: NCI (default), SMA, Auto Weight Send 1, and Auto Weight Send 2 (9600 or 19200 baud rate). Includes as standard USB HID Keyboard Wedge output. USB VCP (Virtual COM Port) for use with downloadable USB VCP driver

DISPLAY

Display Type	Flush fitting six digit, 1" (25mm) high backlit LCD display Optional 2nd remote six digit, 1" high backlit LCD display housed in an ABS enclosure with a 6 foot cable, connected via RJ 45 connector on the rear of the scale base
Remote Display Housing Sizes	8" x 3" x 1.5" (20cm x 7.6cm x 3.8cm)
Operational Keys	POWER/ZERO: Includes Auto Zero Tracking or Manual push button to re-establish zero reference UNITS: Allows you to select between lbs and kgs TARE: Perform a tare function for gross and net weight
Units of Measure	lb, kg
Configurable Selections	Capacity, resolution, filters, baud rates, protocols, back light setting, and stand-by mode
Time and Date	No

Base Sizes

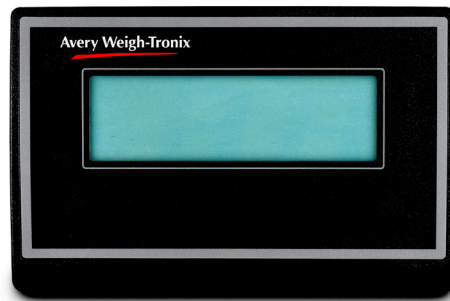


Top Pan Construction	Stainless steel weight platter Optional: Ball top weight platter (9 balls)
Base Construction	Painted all-metal frames and heavy duty overload protection using an aluminum analog load cell
Base Capacity	Capacity (lb) 200 lb x 0.05 lb (100 x 0.02 kg) factory default With field calibration, configurable to: 100 x 0.02 lb (50 x 0.01kg) 150 x 0.05 lb (75 x 0.02kg)
Power Adapter	Input: 100-240V, 50/60Hz, 0.4A Max Output: 12.0VDC, 1.0A max, 0.25mm barrel plus, center pin positive Type: Wall mount adapter with NA style two prong blade type
Operating Environment	Temperature: 42° F to 104° F (5° C to 40° C) Relative Humidity: 10 to 95% (non-condensing)
Calibration	2 point calibration process (zero and span capacity) Linear Calibration Field calibration can be carried out by using less than full capacity weights Gravity compensation to allow the local gravity to be entered for where the scale is to be used
Filtering	Standard, Fast, or Slow

OPTIONS

Remote Customer Display

Allows for placement of weight display in a convenient location



Ball Top Weight Platter

Stainless steel, using 9 roller balls to simplify handling and transport of all parcels. One piece lift-off design for easy field retrofitting



APPROVALS

Certifications

NTEP approved for use in Class III operations, CC 22-053
Canada Weights and Measures approval: pending



Avery Weigh-Tronix



www.averyweigh-tronix.com

Avery Weigh-Tronix is an ITW company

Avery Weigh-Tronix is a trademark of the Illinois Tool Works group of companies whose ultimate parent company is Illinois Tool Works Inc ("Illinois Tool Works"). Copyright © 2016 Illinois Tool Works. All rights reserved. This publication is issued to provide outline information only and may not be regarded as a representation relating to the products or services concerned. This publication was correct at the time of going to print, however Avery Weigh-Tronix reserves the right to alter without notice the specification, design, price or conditions of supply of any product or service at any time.

ZP212_spec_501500_cb.indd