



2 Block Dry Block Heaters



Versatile Block Heaters Designed for Everyday Use with Accessories for Every Application

Versatile Dry Block Heaters are ideal for applications that require temperature stability. Close tube-to-block contact enables maximum heat retention, resulting in efficient heating. Digital models offer exceptional temperature uniformity and stability for repeatable results, while non-digital models are an economical choice. All units hold optional interchangeable modular blocks with over 40 choices. Blocks are easy to use, no tools required.

Standard Features:

- **Delivering Exceptional Temperature Stability and Uniformity**
Three models to customize your application. All models offer exceptional temperature uniformity with outstanding temperature stability.
- **Heated Lid Model Reduces Condensation on Lids to Maintain Sample Integrity**
A second heater in the lid helps minimize condensation to maintain sample integrity, providing reliable, repeatable results. Easily monitor settings with independent displays for temperature and time.
- **Calibrate to an External Temperature Device with Temperature Calibration Mode**
Digital models with user calibration feature allows you to match the Block Heater's display to your known external temperature standard which improves the temperature accuracy of the system.

2 Block Dry Block Heaters

| Model | HB2AL | HB2DG | HB2DGHL |
|-------------------------|--|-------------------------|-------------------------|
| Control | Non-Digital | Digital | Digital |
| Temperature Range | Low Ambient + 5 °C – 100 °C, High 75 °C – 150 °C | Ambient + 5 °C – 120 °C | Ambient + 5 °C – 100 °C |
| Stability @ 37 °C | ± 1.5 °C | ± 0.1 °C | |
| Uniformity @ 37 °C | ± 0.1 °C | | |
| Heat Up Time to 100 °C | ≤ 16 min | | ≤ 30 min |
| Temperature Calibration | NA | • | |
| Number of Blocks | 2 | | |
| Overshoot Protection | NA | 10 °C above set point | |
| Working Environment | 18 °C – 33 °C, 20% – 80% Relative humidity, non-condensing | | |
| Power | 230V, 0.92A, 50/60Hz | | 230V, 1.65A, 50/60Hz |
| Power Consumption | 210 W | | 400 W |
| Dimensions (W × L × H) | 203 × 391 × 89 mm | | 203 × 391 × 178 mm |
| Net Weight | 2.8 kg | | 3.1 kg |

Other Standard Features and Equipment

Touchpad control and audible alarm (digital models), painted steel housing, digital models include support rod holder with locking knob, detachable 3-wire cord and plug (included)

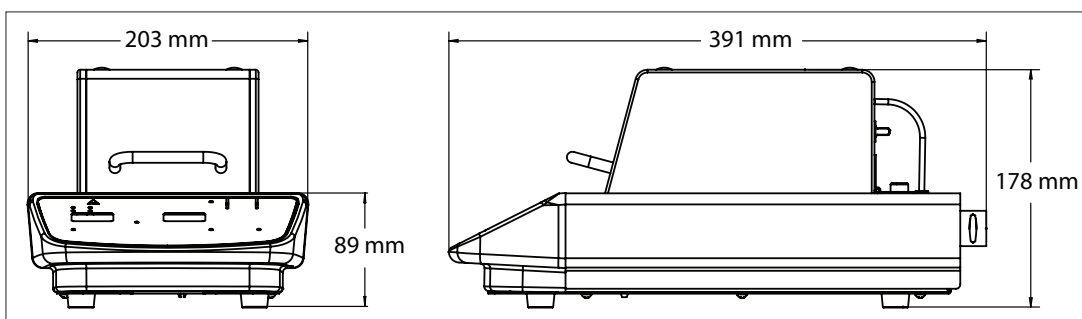
Compliance

- **Product Safety:** EN 61010-1, EN 61010-2-051
- **Electromagnetic Compatibility:** EN 61326-1 Class A, Industrial Environments
- **Compliance Marks:** CE; RCM; TÜV SÜD

Accessories

| | | | |
|--|----------|---|----------|
| Module Block 10 mm Test Tube, 24 Wells | 30400151 | Module Block 15 mL Conical Centrifuge, 12 Wells | 30400172 |
| Module Block 12/13 mm, 20 Wells | 30400152 | Sand Bath, 2 Block Unit | 30400174 |
| Module Block 15/16 mm, 12 Wells | 30400153 | Sand, 0.5 kg Bag | 30400177 |
| Module Block 20 mm Test Tube, 8 Wells | 30400154 | Stainless Steel Shot, 0.5 kg | 30400178 |
| Module Block 25 mm Test Tube, 6 Wells | 30400155 | Cover Low-Temperature 2 Block* | 30400179 |
| Module Block Combo - Test Tube Combination Block: | | Module Block For Vials 12 mm, 20 Wells | 30400182 |
| 6 mm, 12/13 mm, 25 mm | 30400156 | Module Block For Vials 15 mm, 20 Wells | 30400183 |
| Module Block 0.5 mL Microtaper, 30 Wells | 30400157 | Module Block For Vials 17 mm, 12 Wells | 30400184 |
| Module Block 6 mm Test Tube, 30 Wells | 30400158 | Module Block For Vials 19 mm, 12 Wells | 30400185 |
| Module Block 1.5 mL Microtaper, 20 Wells | 30400159 | Module Block For Vials 21 mm, 9 Wells | 30400186 |
| Module Block Solid | 30400160 | Module Block For Vials 23 mm, 8 Wells | 30400187 |
| Module Block Cuvette - 12 Cuvet, 2 Wells | 30400161 | Module Block For Vials 25 mm, 8 Wells | 30400188 |
| Module Block 11.5/1.5 mL Microcentrifuge, 20 Wells | | Module Block For Vials 28 mm, 6 Wells | 30400189 |
| | 30400162 | Module Block For Vials 16 mm, 15 Wells | 30400190 |
| Module Block 250 Microliter/6 mm, 30 Wells | 30400163 | Module Block, 2.0 mL Tube, 20 Wells | 30400191 |
| Module Block Titer Plate | 30400164 | Module Block, 2.0 mL Corning Tube, 20 Wells | 30400192 |
| Module Block 12/13 mm, 16 Wells | 30400165 | Module Block Combo - Centrifuge Tube Configuration: | |
| Module Block Solid Double | 30400166 | 50 mL-2 Wells, 15 mL-3 Wells, 1.5 mL-4 Wells | 30400193 |
| Module Block 35 mm Test Tube, 4 Wells | 30400167 | Module Block Combo - Micro Tube Combination: | |
| Module Block 50 mL Conical Centrifuge, 5 Wells | 30400168 | 2 mL-5 Wells, 1.5 mL-10 Wells, 0.5 mL-6 Wells | 30400194 |
| Module Block 0.2 mL Micro, 80 Wells | 30400169 | Module Block 17/18 mm, 12 Wells | 30400195 |
| Module Block 0.2 mL Micro, 64 Wells | 30400170 | Stainless Steel Probe Kit** | 30400246 |
| Module Block 0.2 mL 96 Hole Double Block | 30400171 | *NA for HB2DGHL **NA for HB2AL | |

Dimensions



80775622 20200227 © Copyright OHAUS Corporation

**OHAUS Asia/Pacific
Headquarters**

7F, Block 33, 680 Guiping Road
Shanghai 200233
China

e-mail: APmarketing@ohaus.com
Tel: +86 21 64855408

www.ohaus.com

*The management system
governing the manufacture
of this product is
ISO 9001:2015 certified.*

30385218

