

Chatillon® SLC Series Load Cells

Specification Sheet

SS-SLC-0210

February 2010

The CHATILLON® SLC Series loadcells are full-bridge strain gauge sensors complete with 15-pin plug. These loadcells are used with the Chatillon DFS-R-ND Series digital indicator. They may also be used with the Chatillon TCD Series digital force testers (recalibration with a TCD Series Console is required).

The loadcell values and sensitivity factors are stored in memory within the sensor plug. When connected to a DFS-R-ND indicator or TCD Series force tester, the capacity and calibration points are automatically recognized by the instrument. The instrument then becomes a full-featured load measurement instrument. The loadcells are connected to the DFS-R-ND or TCD Console with a retractable cord that extends fully to nearly 9 ft. (3 m).

Features

- Plug & Play Operation
 - DFS-R-ND Gauge
 - TCD110, TCD225 or TCD1100 Digital Testers
- Accuracy up to 0.1% FS
- NIST Calibration with Data
- 1 Year Warranty

Specifications

Accuracy:	±0.1% of Full Scale
Input Resistance:	1000 ohms ±100
Output Resistance:	1000 ohms ±100
Rated Output:	2.0 mV/V
Safe Overload:	150% Full Scale
Non-Linearity:	±0.05% Full Scale
Hysteresis:	±0.05% of Full Scale
Zero Balance:	±0.1% of Full Scale
Operating Temperature:	40°F to 110°F 5°C to 45°C
Instrument Weight:	1 lb (0.5 kg)
Shipping Weight:	1.5 lbs (0.7 kg)



Shown: SLC Sensor attached to the Chatillon DFS-R-ND gauge.



Quality Assured.

AMETEK® | **Chatillon®**
Force Measurement

Ordering

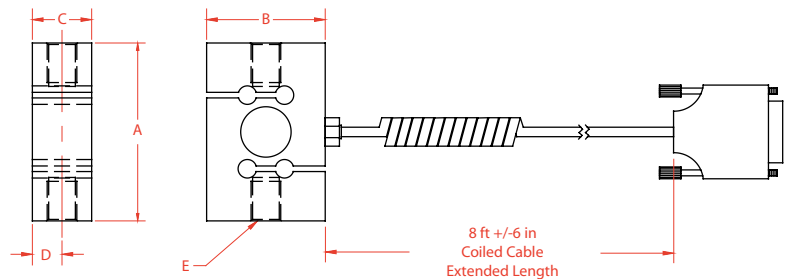
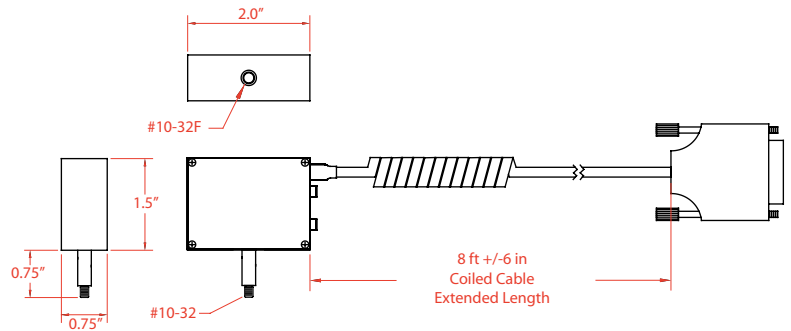
SLC Series

Model	ozf	lbf	gf	kgf	N	Deflect	Accuracy
SLC-250G	8 x 0.002	0.5 x 0.0001	250 x 0.05	1 x 0.0001	2.5 x 0.0005	0.013 ±0.004"	±0.25% FS
SLC-0002	32 x 0.005	2 x 0.0002	1000 x 0.1	1 x 0.0001	10 x 0.001	0.013 ±0.004"	±0.25% FS
SLC-0010	160 x 0.02	10 x 0.001	5000 x 0.5	5 x 0.0005	50 x 0.005	0.013 ±0.004"	±0.25% FS
SLC-0025	400 x 0.05	25 x 0.002	10000 x 1	10 x 0.001	100 x 0.01	0.015 ±0.004"	±0.25% FS
SLC-0050	800 x 0.1	50 x 0.005	25000 x 2	25 x 0.002	250 x 0.02	0.006 ±0.003"	±0.25% FS
SLC-0100	1600 x 0.2	100 x 0.01	50000 x 5	50 x 0.005	500 x 0.05	0.008 ±0.003"	±0.25% FS
SLC-0200	-	200 x 0.02	-	100 x 0.01	1000 x 0.1	0.008 ±0.003"	±0.25% FS
SLC-0500	-	500 x 0.05	-	250 x 0.02	2500 x 0.2	0.008 ±0.003"	±0.25% FS
SLC-1000	-	1000 x 0.01	-	500 x 0.05	5000 x 0.2	0.012 ±0.003"	±0.25% FS
SLC-2000	-	2000 x 0.2	-	1000 x 0.1	10,000 x 1	0.018 ±0.003"	±0.25% FS
SLC-5000	-	5000 x 0.5	-	2500 x 0.2	25,000 x 2	0.013 ±0.003"	±0.25% FS
SLC-10000	-	10,000 x 1	-	5000 x 0.5	50,000 x 5	0.011 ±0.003"	±0.25% FS



Shown: Sensor connection port on the Chatillon DFS-R-ND Series gauge.

Capacity	A	B	C	D	E
50 lbf	2.48"	2.0"	0.61"	0.31"	1/4-28F
100 lbf	2.48"	2.0"	0.61"	0.31"	1/4-28F
200 lbf	2.48"	2.0"	0.61"	0.31"	1/4-28F
500 lbf	2.98"	2.0"	0.98"	0.49"	1/2-20F
1000 lbf	2.98"	2.0"	0.98"	0.49"	1/2-20F



Capacity	A	B	C	D	E	F
2000 lbf	3.44"	2.25"	0.94"	0.47"	1.125"	1/2-20F
5000 lbf	3.94"	2.75"	1.19"	0.59"	1.375"	3/4-16F
10,000 lbf	3.94"	3.0"	1.43"	0.71"	1.5"	3/4-16F

