

# Chatillon® MT150 Series Mechanical Force Tester

Specification Sheet

SS-MT150-0210

February 2010

The CHATILLON®MT150 Series mechanical test stand is an easy-to-use solution for force measurement applications up to 150 lbf (660N) capacities. The test stand may be equipped with a quick-action lever or precision handwheel for controlling crosshead speed and travel. The MT150 test stand can be bench mounted, wall mounted or positioned horizontally. Vertical clearances are available from 750mm (29.5 inch) up to 1500mm (60 inch). Standard stroke is 6 inches (150 mm), although longer strokes can be accommodated as a special order.

The MT150 Series features an innovative design that maximizes working space and simplifies operation and maintenance. The single column design with 150mm (6 in) throat is ideal for large specimens. The removable platen is designed to accommodate metric and imperial threaded fixtures. Special gauge adapter make gauge alignment automatic. Options include a digital travel indicator, capable of displaying travel up to 0.01mm (0.0005 inch) and column ruler which is graduated in millimeters and inches.

The MT150 Series includes hook, compression plate, adapters and gauge mounting hardware.

## Features

- Tensile, Compression, Peel & Flexural Testing
- Optional Column Heights
  - 500mm Standard
  - 1000mm Extended
  - 1500mm Ultra
- 6-inch Stroke
  - Longer Strokes Available as Special Order
- Compact, Lightweight, Benchtop Design
  - Table & Wall Mount Options
- Simple Operation
  - Lever Actuation
  - Handwheel Actuation
- Mounts to Chatillon DF Series Force Gauges
- 2 Year Warranty

## Specifications

<b>Load Capacity:</b>	150 lbf, 660 N
<b>Column Heights:</b>	500mm Standard 1000mm Extended 1500mm Ultra
<b>Stroke</b>	6 inches (152mm) Longer Strokes Available
<b>Travel Rates:</b>	
Lever Actuator:	75mm per Revolution
Handwheel Actuator:	12mm per Revolution
<b>Load Measurement:</b>	Chatillon DF Gauges
<b>Operating Temperature:</b>	40°F to 110°F 5°C to 45°C
<b>Instrument Weight:</b>	20 lbs (9 kg)
<b>Shipping Weight:</b>	25 lbs (12 kg)



Shown: MT150L Series with optional Chatillon DFE Series digital force gauge and optional digital travel indicator.



*Quality Assured.*

**AMETEK®**

**Chatillon®**  
Force Measurement

# Ordering

## MT150 Series

Order No. Description

**BASE Model Number - 1st thru 6th Characters**  
 MT150L CHATILLON MT Series Mechanical Tester, Lever Actuated  
 MT150H CHATILLON MT Series Mechanical Tester, Handwheel Actuated

**Column Height - 7th Character**

S Standard, 750 mm (29.5 in)  
 E Extended, 1000mm (39.4 in)  
 U Ultra, 1500 mm (60 in)

**Force Gauge Mounting Kit - 8th Character**

1 LG and DF Series Force Gauges  
 2 DG Series Force Gauge  
 X Not Required

**Mounting Style - 9th Character**

B Bench, Vertical Mounting  
 H Bench, Horizontal and Wall Mounting

**Options - 10th Character**

1 Digital Travel Indicator  
 2 Ruler Assembly (Imperial/Metric Graduations)  
 X Not Required

**Sample Order Number**

CHATILLON MT150 Series (150 lbf, 660N), standard 750mm (29.5 in) travel with LG Series mounting kit. Vertical bench mounting style with lever actuator. Optional digital travel indicator supplied.

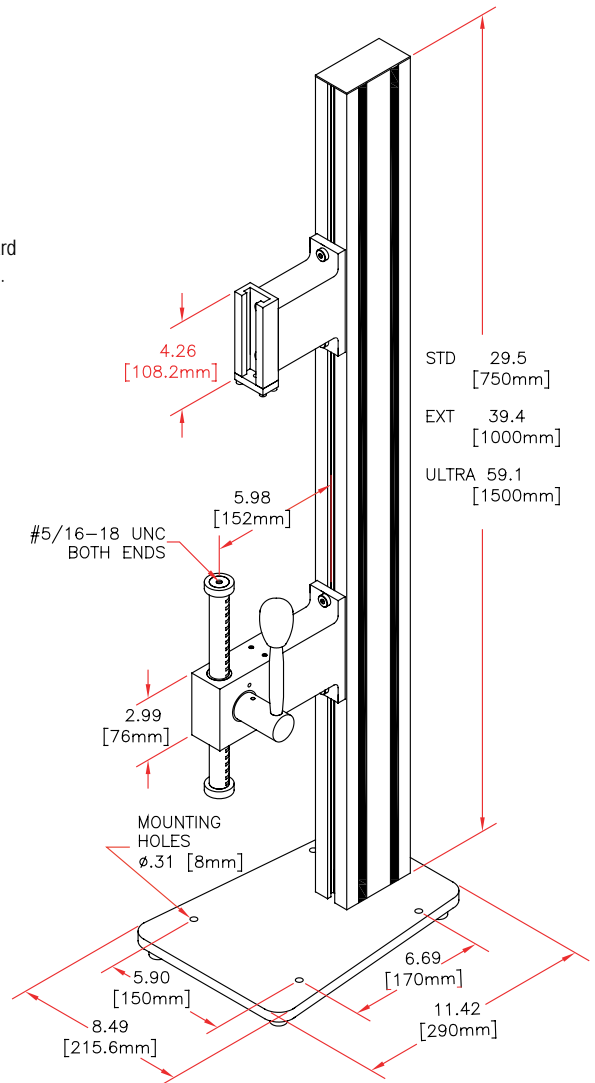
**MT150L S 1 B 1**  
**(MT150LS5B1)**

## Optional Accessories

Part No.	Description
SPK-MT-Digital	Digital Travel Indicator
SPK-MT-Ruler	Ruler Assembly
SPK-MT-0001	Gauge Kit, DF, LG Series
SPK-MT-0002	Gauge Kit, DG, DFIS, DPPH Series
SPK-MT-0003	Gauge Kit, DFM Series
SPK-MT-0004	Gauge Kit, DFT Series
SPK-MT-Remote	Remote Load Cell Kit
SPK-MT-Wall-Horz	Wall Mounting Kit
SPK-MT-L150	Lever Actuator Assembly
SPK-MT-H150	Handwheel Actuator Assembly

## Standard Accessories

Part No.	Description
SPK-FMG-012B	Hook
17012	Compression Plate, 3" Diameter
P-10020	Thread Adapter, 5/16-18 to #10-32
NC000714	Hex Key, 6mm
3157	Set Screw, #10-32 x 3/4"
13048	Coupling, 1/4-28 to 5/16-18
ADT/0115	5/8" Eye End Adapter



# AMETEK

## MEASUREMENT & CALIBRATION TECHNOLOGIES

For the authorized Chatillon Distributor or Manufacturer's Representative near you, go to [www.chatillon.com](http://www.chatillon.com)

Americas  
 AMETEK  
 Measurement & Calibration  
 Technologies  
 8600 Somerset Drive  
 Largo, Florida 33773  
 United States of America  
 Tel +1-727-536-7831  
 Tel +1-800-527-9999  
 Fax +1-727-539-6882  
 Email [chatillon.fl-har@ametek.com](mailto:chatillon.fl-har@ametek.com)

United Kingdom  
 Lloyd Instruments Ltd.  
 Steyning Way  
 Bognor Regis  
 West Sussex  
 PO22 9ST  
 United Kingdom  
 Tel +44 (0) 1243 833 370  
 Fax +44 (0) 1243 833 401  
 Email [uk-far.general@ametek.co.uk](mailto:uk-far.general@ametek.co.uk)

France  
 AMETEK S.A.S.  
 Rond Point de l'Epine des Champs  
 Buro Plus - Bat. D  
 78990 Elancourt  
 France  
 Tel +33 (0)1 30 68 89 40  
 Fax +33 (0)1 30 68 89 49  
 Email [general@lloyd-instruments.com](mailto:general@lloyd-instruments.com)

Germany  
 AMETEK GmbH  
 Rudolf-Diesel-Strasse 16  
 D-40670 Meerbusch  
 Germany  
 Tel +49 (0)2159 9136-70  
 Fax +49 (0)2159 9136-39  
 Email [info@ametek.de](mailto:info@ametek.de)

Singapore  
 AMETEK Singapore Pvt. Ltd.  
 10 Ang Mo Kio Street 65  
 #05-12 Techpoint  
 Singapore 569059  
 Tel +65-6484-2388  
 Fax +65-6481-6588  
 Email [aspl@ametek.com.sg](mailto:aspl@ametek.com.sg)

Visit Us on the Worldwide Web at:  
[www.chatillon.com](http://www.chatillon.com)

© 2010 by AMETEK, Inc.

Information within this document is subject to change without notice.

ISO 9001/2000  
 ISO/IEC 17025  
 Manufacturer