



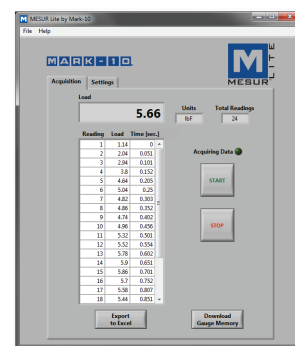
Series TT05 universal torque testers can be used for a range of applications up to 100 lbFin [11.5 Nm]. The stainless steel loading surface features a matrix of threaded holes, ideal for accommodating specialized fixtures and attachments. The testers' rugged design and simple, intuitive operation allow for use in laboratory and production environments.

Accuracy of $\pm 0.3\%$ and blazingly fast sampling rate of 7,000 Hz ensure reliable and consistent test results, even in quick-action applications. Password protection is provided to prevent unauthorized changes to settings and calibration.

The TT05 includes a range of sophisticated productivity-enhancing features, including USB, RS-232, Mitutoyo, and analog outputs, automatic data output and zeroing upon sample break, memory storage for 1,000 readings, pass/fail indicators and outputs, and more. First / second peak torque detection is useful for torque tool testing, tamper evident closure testing, and other applications.

Series TT05 testers include MESUR™ Lite data acquisition software. MESUR™ Lite tabulates continuous or single point data. Data stored in the TT05's memory can also be downloaded in bulk. One-click export to Excel allows for further data manipulation.

MESUR™ Lite data acquisition software is included with Series TT05 testers



Features

- Stainless steel loading plate with threaded holes accommodates fixtures and attachments
- USB, RS-232, Mitutoyo, and analog outputs
- Automatic output, data storage, and zeroing upon sample break helps automate testing processes
- First / second peak detection for torque tool testing, bottle cap testing, and other applications
- 1,000-point data memory with statistics and outputs
- Password protection prevents unauthorized changes
- High-speed 7,000 Hz sampling rate accurately captures peak torque values
- Programmable set point indicators and outputs for pass/fail determination
- MESUR™ Lite data collection software included

Controls & Indicators

Set points

Current / peak reading

Pass / fail indicators

Battery indicator

Memory storage for 1000 readings

Access the tester's settings menu via an easy-to-use interface

One-push data output to a PC, printer, or other device (auto-output also possible)

Clockwise/counter-clockwise indicator

Peak readings

Measurement mode

Units of measurement

Analog load bar w/set point markers

Zero the reading to begin a new test (auto-zero also possible)

Toggle between real time and peak display modes

Optional Items

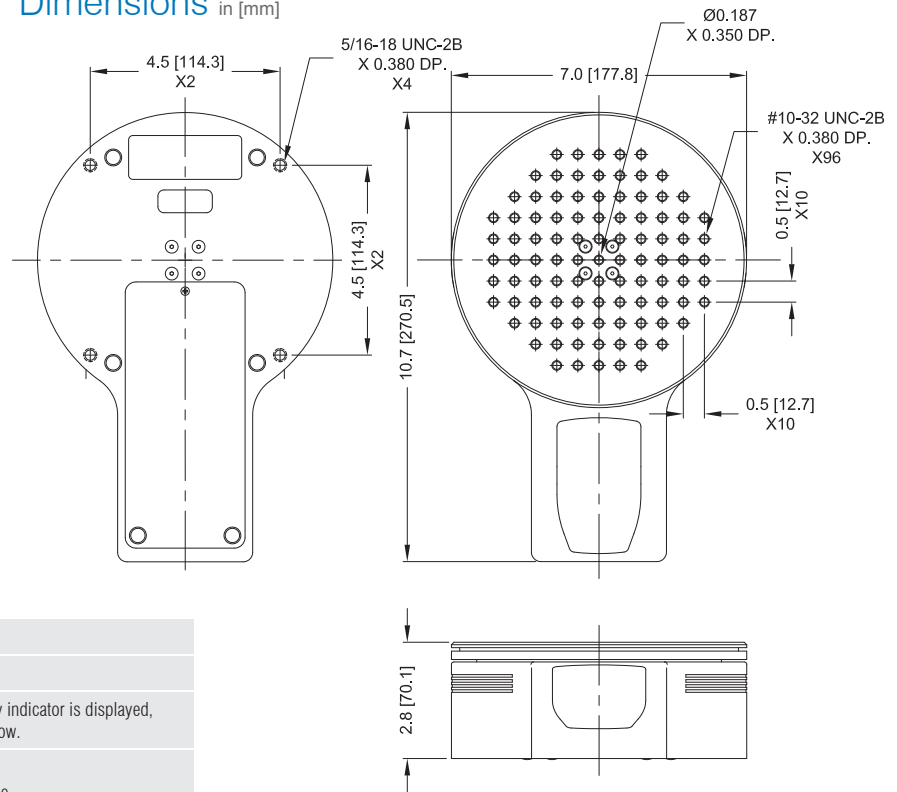


CT002

Carrying case

Provides storage space for the TT05 tester, gripping jaws, AC adapter, and accessories.

Dimensions in [mm]



Specifications

Accuracy:	±0.3% of full scale
Sampling Rate:	7,000 Hz
Power:	AC or rechargeable battery. Multi-step low battery indicator is displayed, tester shuts off automatically when power is too low.
Battery life:	Backlight on: up to 7 hours of continuous use Backlight off: up to 24 hours of continuous use
Units:	ozFin, lbFin, lbFft, Nm, Ncm
Outputs:	USB / RS-232: Configurable up to 115,200 baud. Mitutoyo: Serial BCD suitable for all Mitutoyo SPC-compatible devices. Analog: ±1 VCD, ±0.25% of full scale at capacity. General purpose: Three open drain outputs, one input. Set points: Three open drain lines.
Safe overload:	150% of full scale (display shows "OVER" at 110% and above)
Weight:	10.9 lb [4.9 kg]
Included items:	Universal voltage AC adapter, battery, quick-start guide, USB cable, resource CD (USB driver, MESUR™ Lite software, MESUR™ gauge DEMO software, and user's guide), and NIST-traceable certificate of calibration (certificate with data is available for an additional charge).
Environmental requirements:	40 - 100°F, max. 96% humidity, non-condensating
Warranty:	3 years (see individual statement for further details)

Capacity x Resolution

Model No.	lbFin	ozFin	lbFft	Ncm	Nm
MTT05-12	12 x 0.005	192 x 0.1	1 x 0.0005	135 x 0.1	1.35 x 0.001
MTT05-25	25 x 0.01	400 x 0.2	2 x 0.001	290 x 0.2	2.9 x 0.002
MTT05-50	50 x 0.02	800 x 0.5	4 x 0.002	570 x 0.5	5.7 x 0.005
MTT05-100	100 x 0.05	1600 x 1	8 x 0.005	1150 x 0.5	11.5 x 0.005

All models include 110V AC adapters. Add suffix 'E' for euro plug (220V), 'U' for UK plug (220V), or 'A' for Australian plug (220V).

Ex: MTT05-12E, MTT05-25U, MTT05-50A