

32-1053 REV 3

The TSC1000 test stand is ruggedly built for testing up to 1,000 lbf (5 kN) of compression or tension force. A large hand wheel requires little effort, even at high loads, and a precision Acme screw and nut ensures smooth operation over time. The stand includes a loading table with threaded holes for fixture or grip mounting and a solid metal base (TSC1000) contains a storage pocket and holes for bench mounting. Available in vertical and horizontal configurations.

## Specifications

<b>Load Capacity:</b>	1000 lbf [5 kN]
<b>Maximum Travel:</b>	3.50 in [89 mm]
<b>Loading method:</b>	Hand wheel
<b>Travel Rate:</b>	0.1 in [2.5 mm] per hand wheel rev
<b>Weight:</b>	TSC1000: 25 lb [11.4 kg] TSC1000H: 20 lb [9.0 kg]
<b>Included accessories:</b>	Tool kit, medium hook, large hook, 2 in dia. compression plate, 1/2-20F mounting plate, force gauge mounting hardware
<b>Warranty:</b>	3 years (see individual statement for further details)

## Optional Equipment

<b>Digital travel display TSC001</b>	6 in [150 mm] travel, 0.0005 in [0.01 mm] resolution, 0.001 in [0.03 mm] accuracy, SPC output for data collection.
<b>Horizontal / wall mounting kit TSA002</b>	Converts the TSA750 to a TSA750H
<b>Indicator mounting kit AC1004</b>	If a Mark-10 indicator with remote sensor is used with the AC1004 and TSC1000/TSC1000H, the indicator can be securely mounted to the side of the column with this adapter.

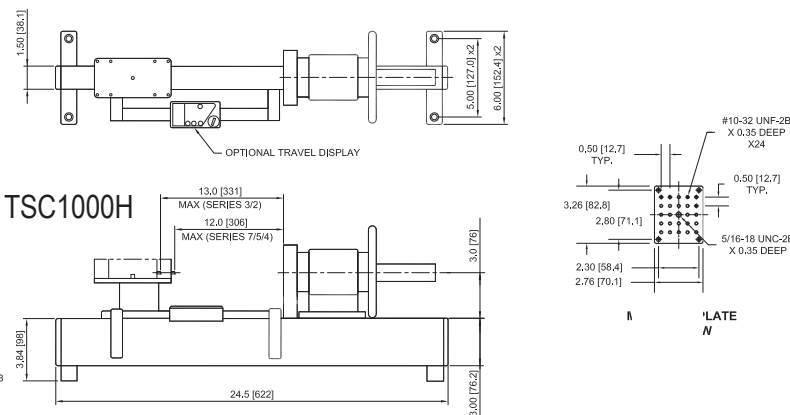
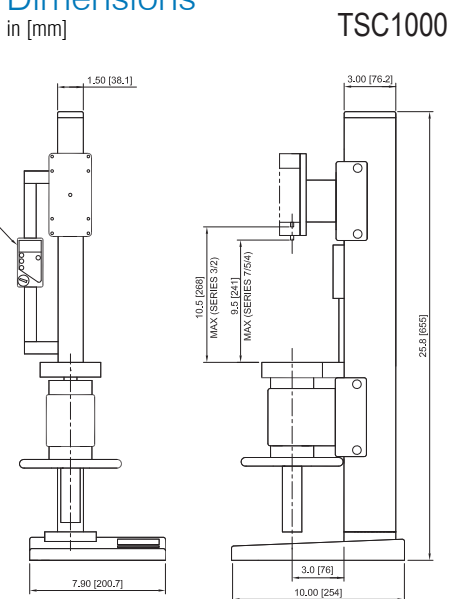


The TSC1000 and TSC1000H are shown in a tension spring testing application, with Series 5 digital force gauge, digital travel display, and hooks

>> Digital travel display



## Dimensions in [mm]



## Ordering Information

Model No.	Description
TSC1000	Test stand, lever-operated, 1000 lbf, vertical
TSC1000H	Test stand, hand wheel-operated, 1000 lbf, horizontal
TSC001	Digital travel display for TSC/TSCH
TSA002	Horizontal / wall mounting kit for TSC
AC1004	Mounting kit, Indicator to test stand



Mark-10 Corporation ■ www.mark-10.com ■ info@mark-10.com  
Toll-free: 888-MARK-TEN ■ Tel: 631-842-9200 ■ Fax: 631-842-9201



Specifications subject to change without prior notice